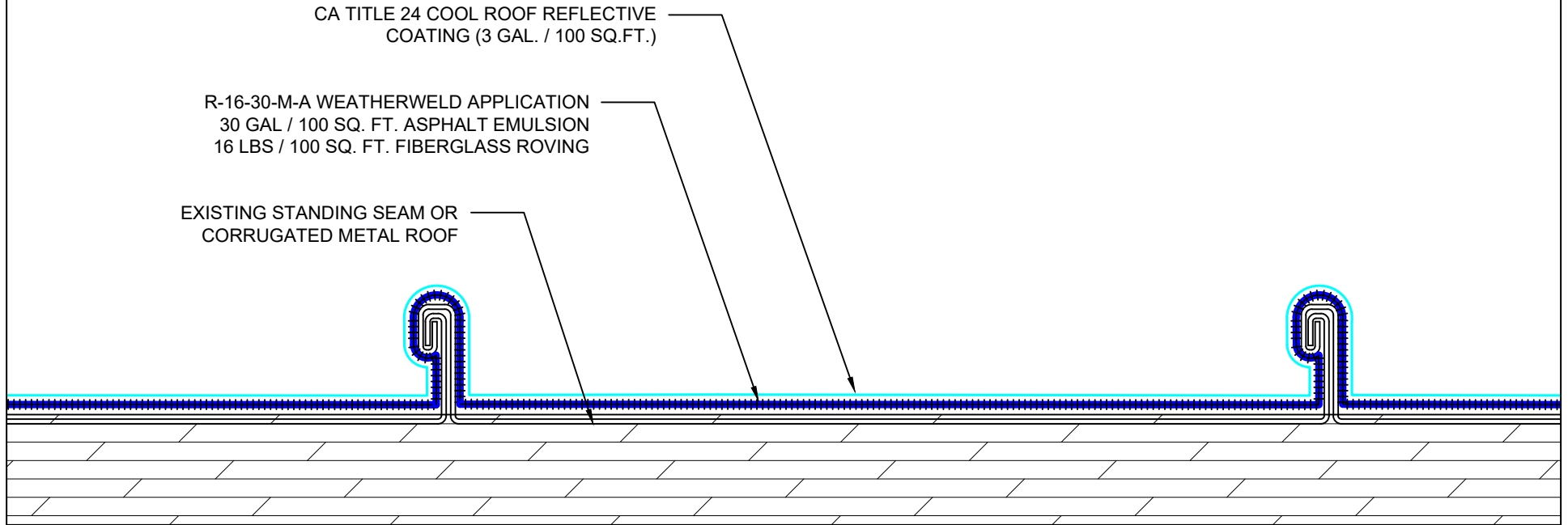


System Overview

Deck:	Standing Seam or Corrugated Metal Roof
Base Sheet:	None
Asphalt Emulsion:	30 Gal
Fiberglass Roving:	16 Lbs
Coating:	CA Title 24 Cool Roof Reflective Coating (3 Gal. / 100 Sq.Ft.)



SYSTEM:

R-16-30-M-A

A DIVISION OF LIQUIFORM TECHNOLOGIES, INC.

9757 7th Street
Suite 803
Rancho Cucamonga, CA 91730-5297
(888) 440-3224
www.weatherweld.com

PREPARED FOR:

DRAWING TITLE:

SYSTEM OVERVIEW

DESIGNED BY:

DRAWN BY:

CHECKED BY:

DATE:

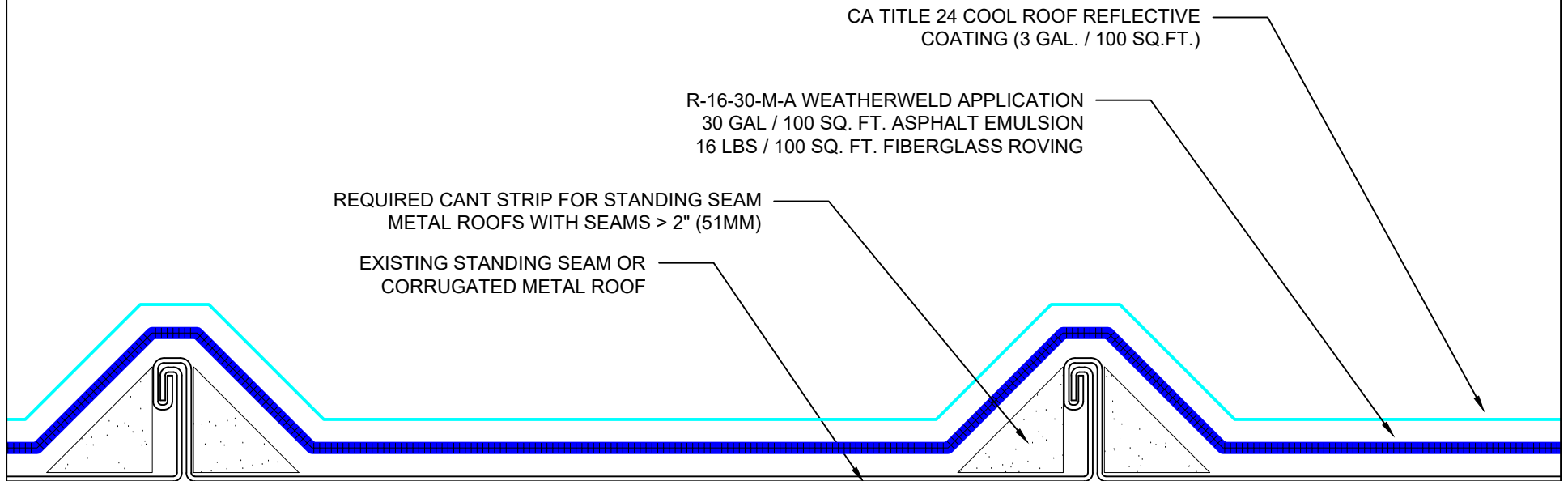
2/18/25

SCALE:

NTS

System Overview

Deck:	Standing Seam or Corrugated Metal Roof
Base Sheet:	None
Asphalt Emulsion:	30 Gal
Fiberglass Roving:	16 Lbs
Coating:	CA Title 24 Cool Roof Reflective Coating (3 Gal. / 100 Sq.Ft.)



SYSTEM:

R-16-30-M-A

A DIVISION OF LIQUIFORM TECHNOLOGIES, INC.

9757 7th Street
 Suite 803
 Rancho Cucamonga, CA 91730-5297
 (888) 440-3224
 www.weatherweld.com

PREPARED FOR:

DRAWING TITLE:

SYSTEM OVERVIEW (ALT)

DESIGNED BY:

DRAWN BY:

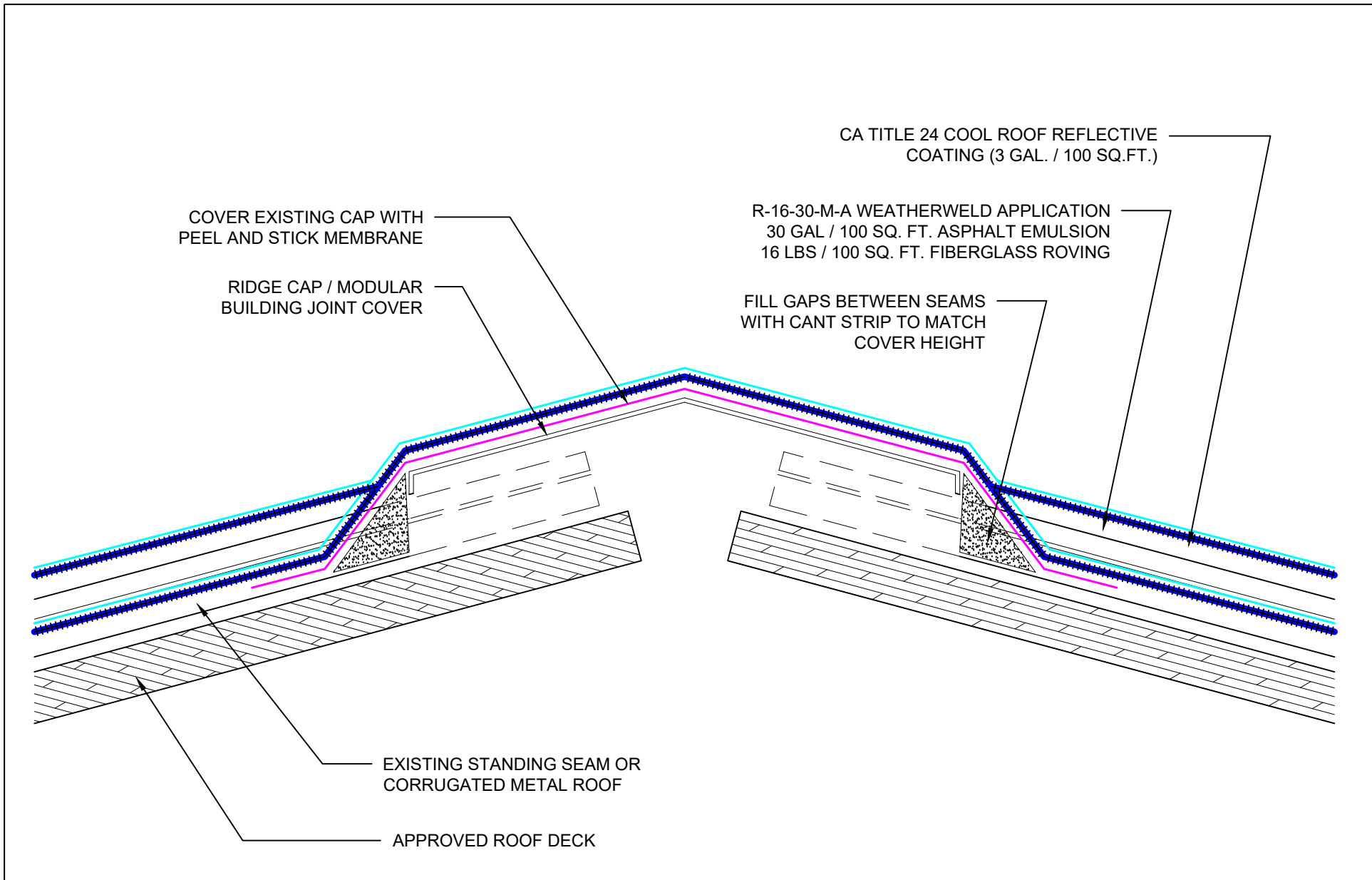
CHECKED BY:

DATE:

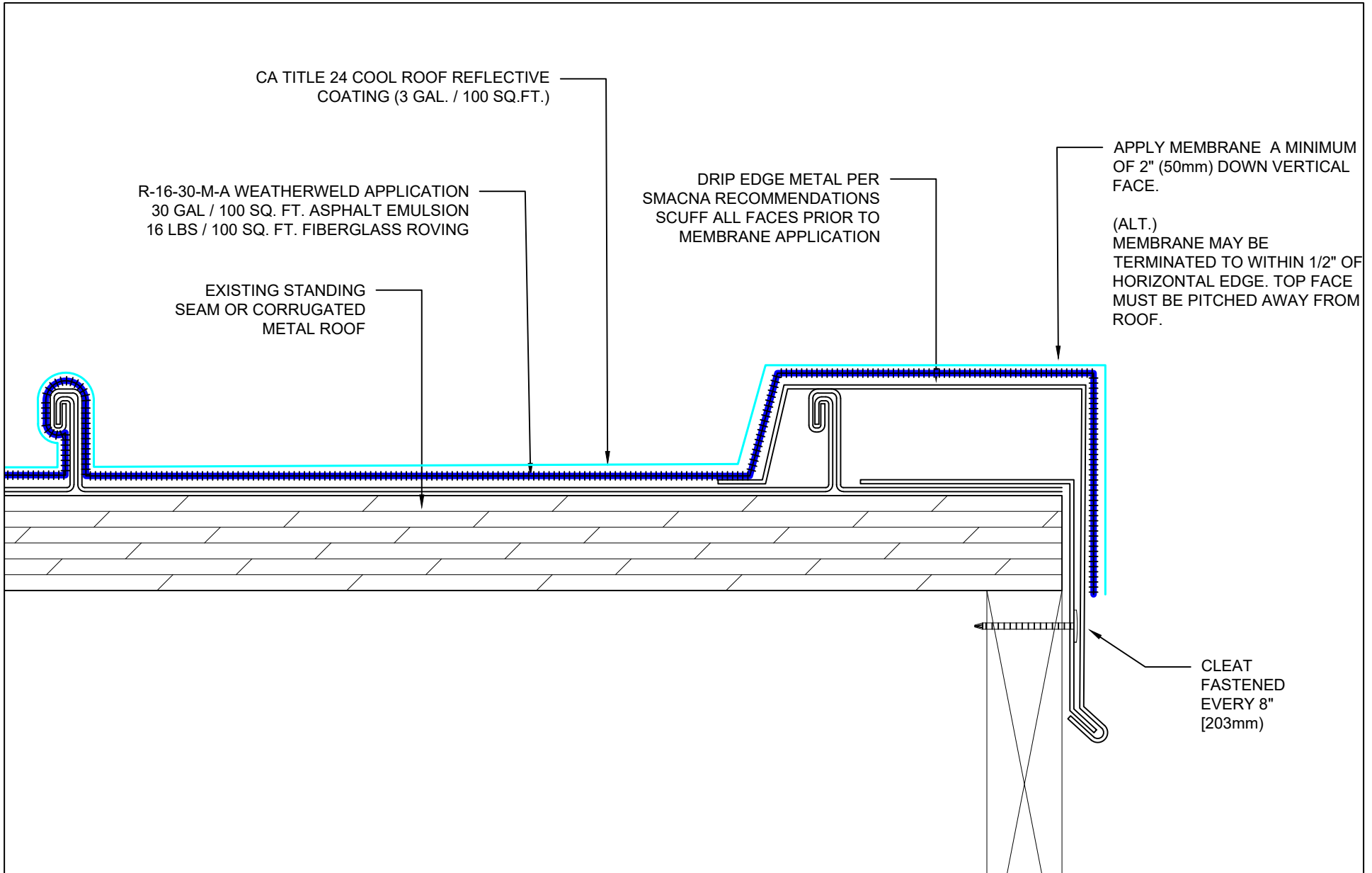
2/18/25

SCALE:

NTS



SYSTEM: <h1>R-16-30-M-A</h1>	A DIVISION OF LIQUIFORM TECHNOLOGIES, INC. 9757 7 th Street Suite 803 Rancho Cucamonga, CA 91730-5297 (888) 440-3224 www.weatherweld.com	PREPARED FOR: 			
DRAWING TITLE: RIDGE / MODLINE	DESIGNED BY:	DRAWN BY:	CHECKED BY:	DATE: 2/18/25	SCALE: NTS



CA TITLE 24 COOL ROOF REFLECTIVE COATING (3 GAL. / 100 SQ.FT.)

R-16-30-M-A WEATHERWELD APPLICATION
30 GAL / 100 SQ. FT. ASPHALT EMULSION
16 LBS / 100 SQ. FT. FIBERGLASS ROVING

EXISTING STANDING SEAM OR CORRUGATED METAL ROOF

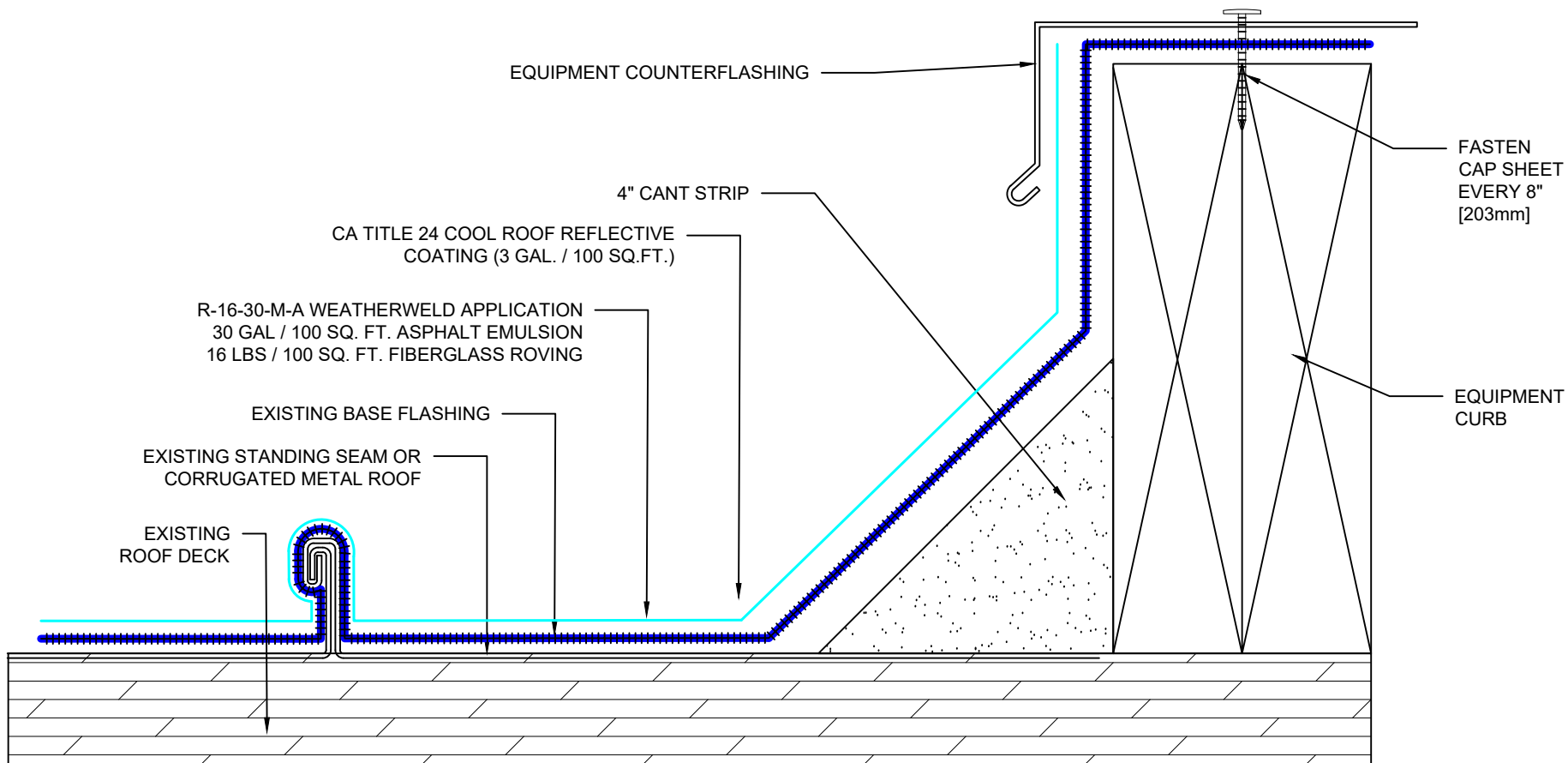
DRIP EDGE METAL PER SMACNA RECOMMENDATIONS
SCUFF ALL FACES PRIOR TO MEMBRANE APPLICATION

APPLY MEMBRANE A MINIMUM OF 2" (50mm) DOWN VERTICAL FACE.

(ALT.) MEMBRANE MAY BE TERMINATED TO WITHIN 1/2" OF HORIZONTAL EDGE. TOP FACE MUST BE PITCHED AWAY FROM ROOF.

CLEAT FASTENED EVERY 8" [203mm]

<p>SYSTEM:</p> <p>R-16-30-M-A</p>	<p>A DIVISION OF LIQUIFORM TECHNOLOGIES, INC.</p> <p>9757 7th Street Suite 803 Rancho Cucamonga, CA 91730-5297 (888) 440-3224 www.weatherweld.com</p>	<p>PREPARED FOR:</p>				
	<p>DRAWING TITLE: EDGE FLASHING</p>	<p>DESIGNED BY:</p>	<p>DRAWN BY:</p>	<p>CHECKED BY:</p>	<p>DATE: 2/18/25</p>	<p>SCALE: NTS</p>



SYSTEM:

R-16-30-M-A

A DIVISION OF LIQUIFORM TECHNOLOGIES, INC.

9757 7th Street
 Suite 803
 Rancho Cucamonga, CA 91730-5297
 (888) 440-3224
 www.weatherweld.com

PREPARED FOR:

DRAWING TITLE:

EQUIPMENT PAD FLASHING

DESIGNED BY:

DRAWN BY:

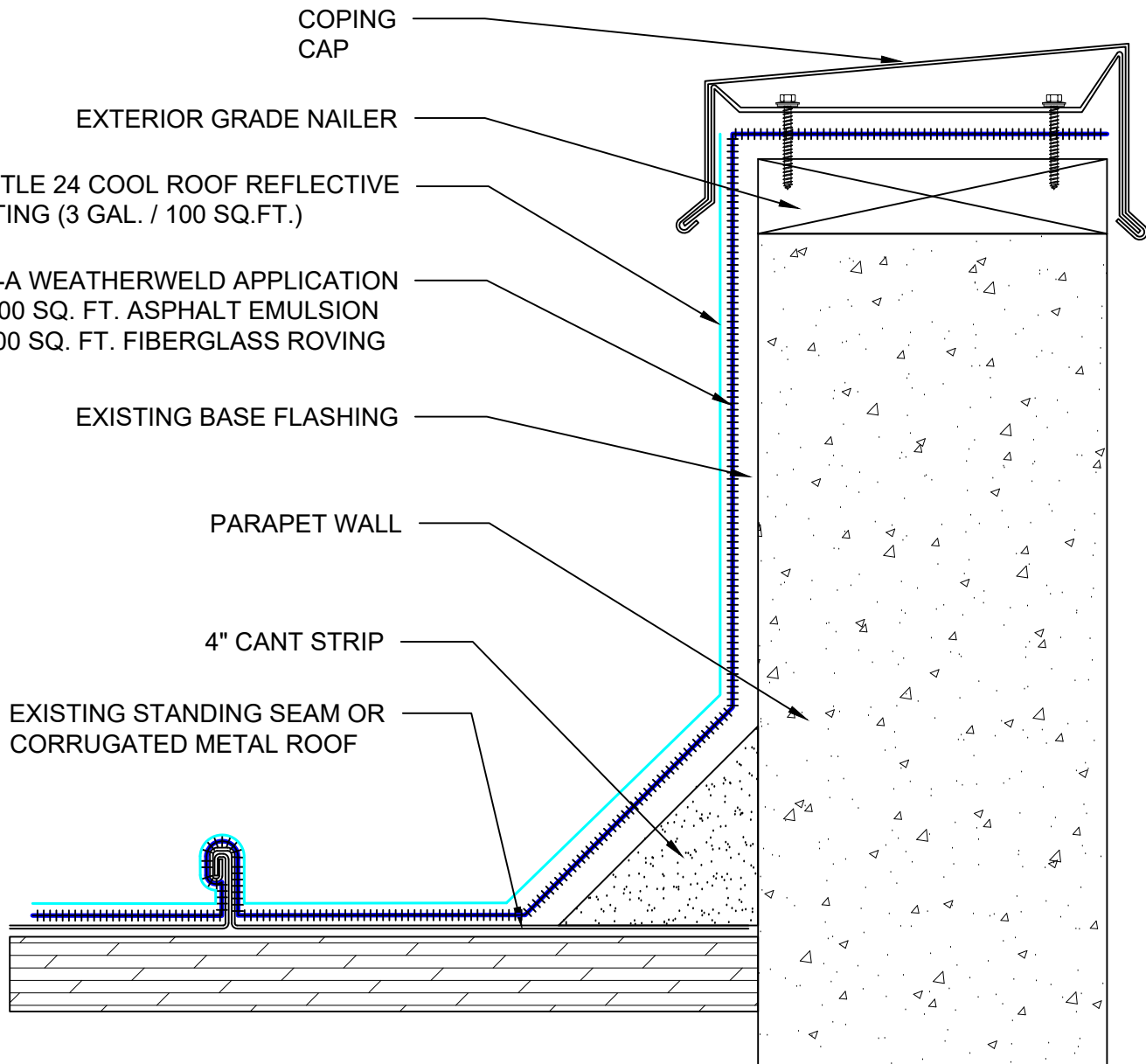
CHECKED BY:

DATE:

2/18/25

SCALE:

NTS



COPING CAP

EXTERIOR GRADE NAILER

CA TITLE 24 COOL ROOF REFLECTIVE COATING (3 GAL. / 100 SQ.FT.)

R-16-30-M-A WEATHERWELD APPLICATION
 30 GAL / 100 SQ. FT. ASPHALT EMULSION
 16 LBS / 100 SQ. FT. FIBERGLASS ROVING

EXISTING BASE FLASHING

PARAPET WALL

4" CANT STRIP

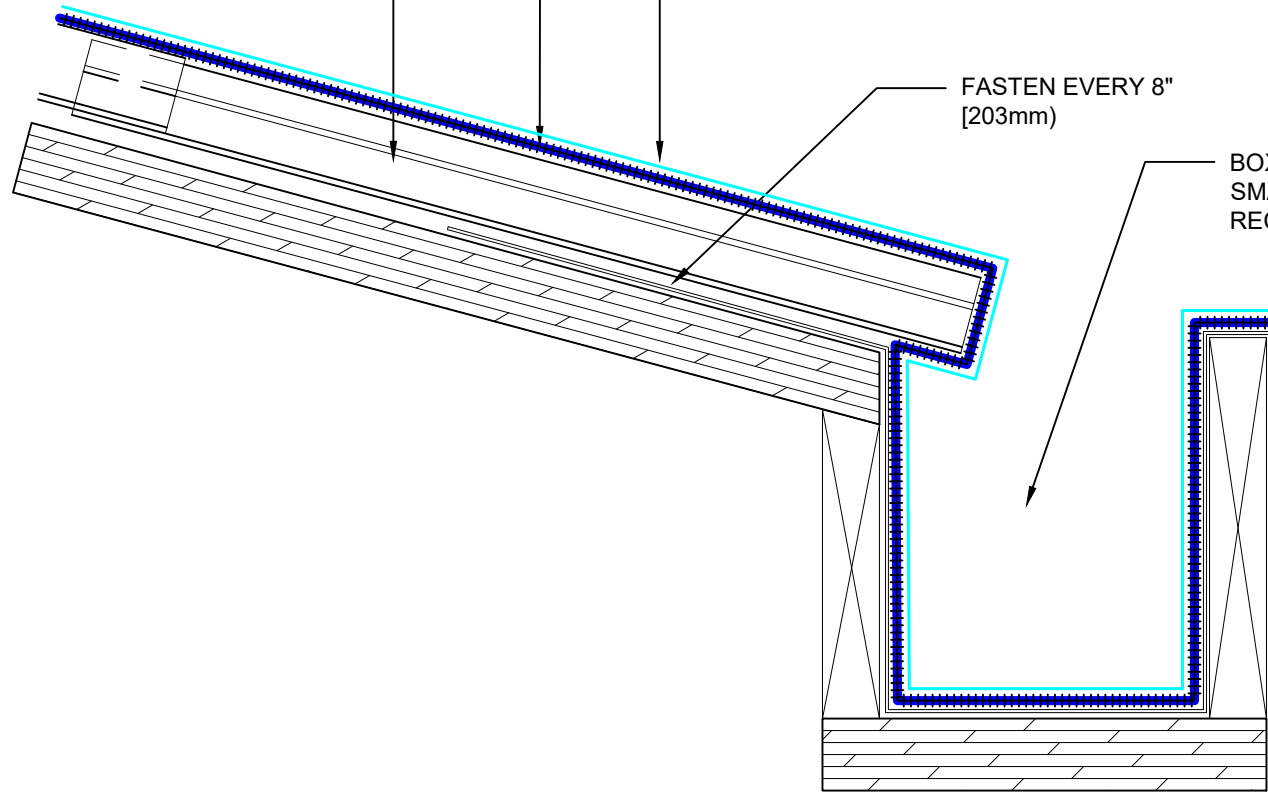
EXISTING STANDING SEAM OR CORRUGATED METAL ROOF

<p>SYSTEM:</p> <p>R-16-30-M-A</p>	<p>A DIVISION OF LIQUIFORM TECHNOLOGIES, INC.</p> <p>9757 7th Street Suite 803 Rancho Cucamonga, CA 91730-5297 (888) 440-3224 www.weatherweld.com</p>	<p>PREPARED FOR:</p>			
<p>DRAWING TITLE: PARAPET WALL FLASHING</p>	<p>DESIGNED BY:</p>	<p>DRAWN BY:</p>	<p>CHECKED BY:</p>	<p>DATE: 2/18/25</p>	<p>SCALE: NTS</p>

CA TITLE 24 COOL ROOF REFLECTIVE COATING (3 GAL. / 100 SQ.FT.)

R-16-30-M-A WEATHERWELD APPLICATION
30 GAL / 100 SQ. FT. ASPHALT EMULSION
16 LBS / 100 SQ. FT. FIBERGLASS ROVING

EXISTING STANDING SEAM OR CORRUGATED METAL ROOF



FASTEN EVERY 8"
[203mm]

BOX GUTTER PER
SMACNA
RECOMMENDATIONS

APPLY MEMBRANE
A MINIMUM OF 2"
(50mm) DOWN
VERTICAL WALL

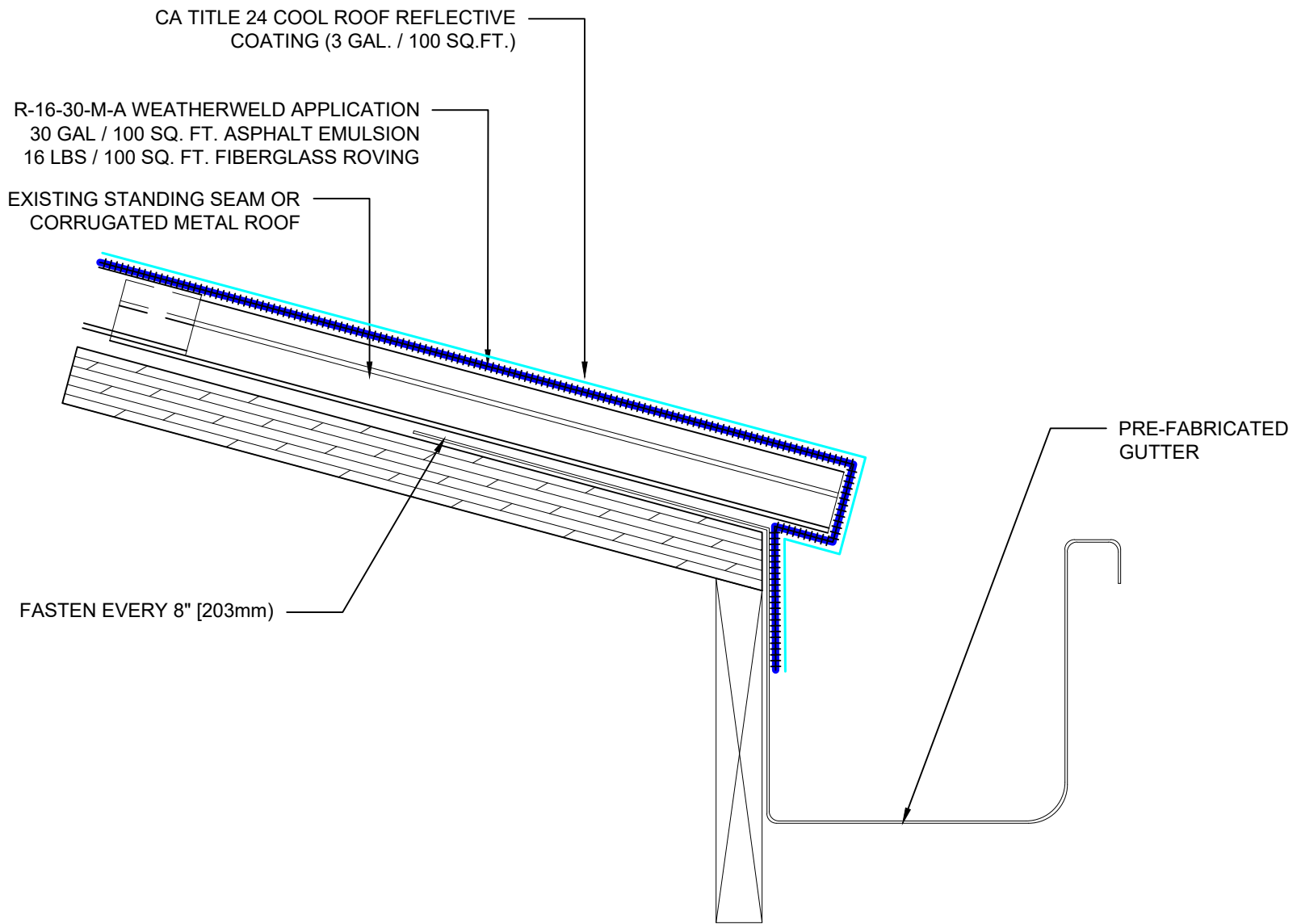
SYSTEM:

R-16-30-M-A

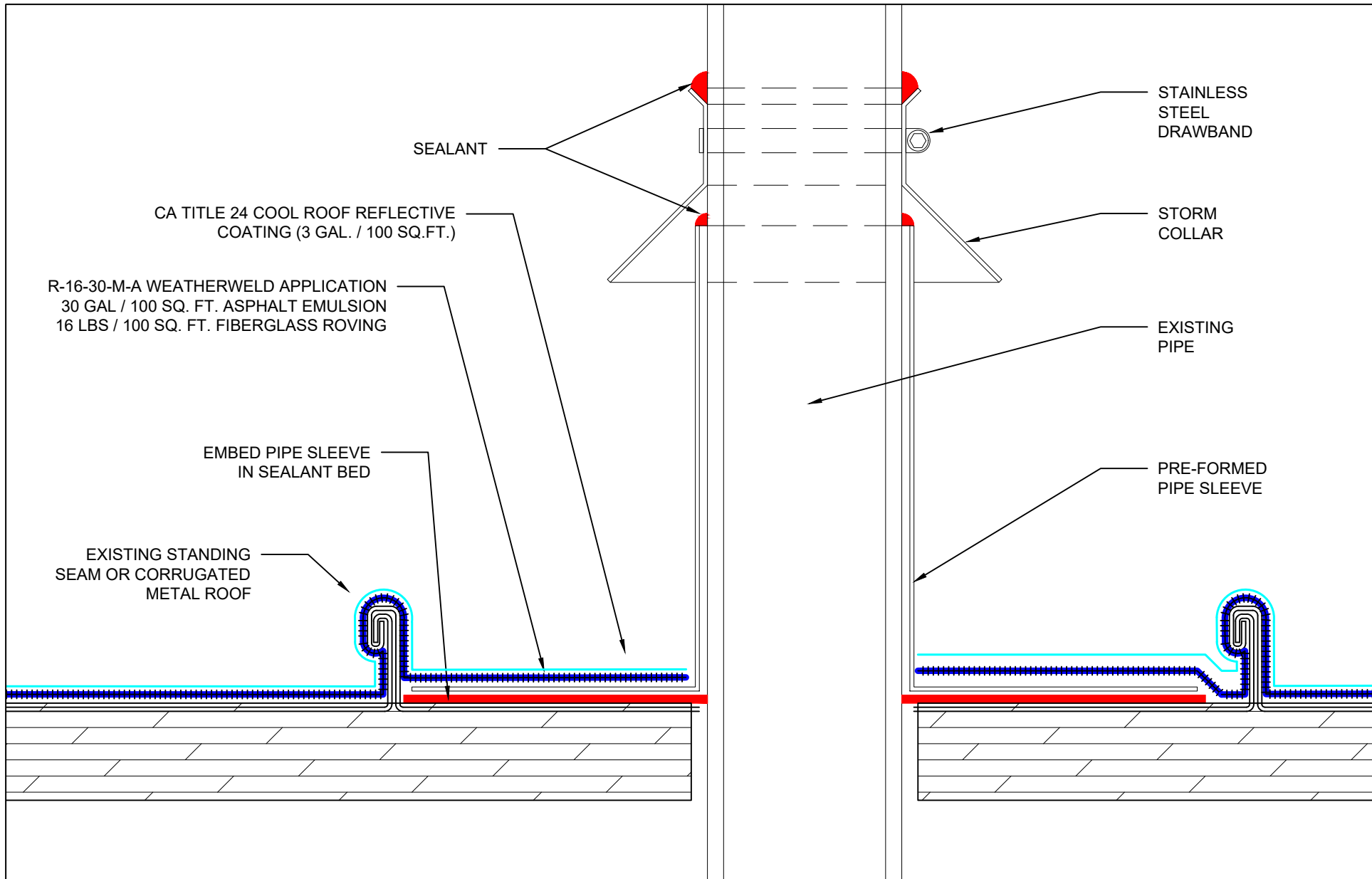
A DIVISION OF LIQUIFORM TECHNOLOGIES, INC.
9757 7th Street
Suite 803
Rancho Cucamonga, CA 91730-5297
(888) 440-3224
www.weatherweld.com

PREPARED FOR:

DRAWING TITLE: BOX GUTTER	DESIGNED BY:	DRAWN BY:	CHECKED BY:	DATE: 2/18/25	SCALE: NTS
-------------------------------------	--------------	-----------	-------------	------------------	---------------



<p>SYSTEM:</p> <p>R-16-30-M-A</p>	<p>A DIVISION OF LIQUIFORM TECHNOLOGIES, INC.</p> <p>9757 7th Street Suite 803 Rancho Cucamonga, CA 91730-5297 (888) 440-3224 www.weatherweld.com</p>	<p>PREPARED FOR:</p>			
<p>DRAWING TITLE:</p> <p>GUTTER EDGE</p>	<p>DESIGNED BY:</p>	<p>DRAWN BY:</p>	<p>CHECKED BY:</p>	<p>DATE:</p> <p>2/18/25</p>	<p>SCALE:</p> <p>NTS</p>



<p>SYSTEM:</p> <p>R-16-30-M-A</p>	<p>9757 7th Street Suite 803 Rancho Cucamonga, CA 91730-5297 (888) 440-3224 www.weatherweld.com</p> <p>A DIVISION OF LIQUIFORM TECHNOLOGIES, INC.</p>	<p>PREPARED FOR:</p>			
<p>DRAWING TITLE: PIPE FLASHING</p>	<p>DESIGNED BY:</p>	<p>DRAWN BY:</p>	<p>CHECKED BY:</p>	<p>DATE: 2/18/25</p>	<p>SCALE: NTS</p>